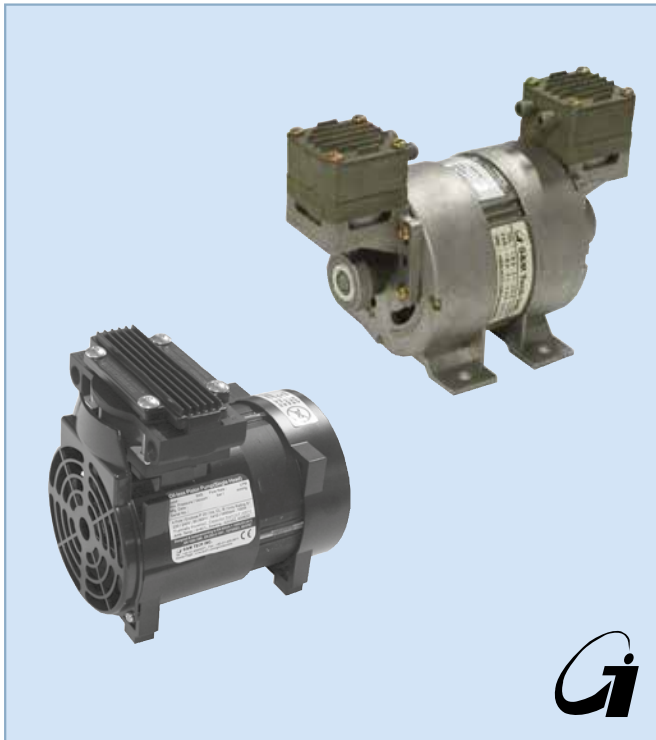


Oil free piston compressor and vacuum pumps



The G&M Tech oil free compressors and vacuum pumps have been designed and manufactured for giving the best reliability at a competitive price. These units are suited for any application where the small dimensions, the low noise level and a continuous duty is a must.

Technical specifications and manufacturing details.

- Max flow: 140 NI/min
- Max pressure: 7 Bar (over, upon request)
- Max vacuum: 750 mmHg
- Single and double head (single or double stage)
- AISI 316 stainless steel valves and die cast aluminum bodies (upon request all the parts in contact with the pumped fluid are fully PTFE coated)
- 2 and 4 poles AC thermal protected motors with starting capacitor
- Voltage: 230 V – 50/60 Hz 12-24 VCC brush type (B), 12-24 VCC e 230 VAC brushless type (BL) built in or External motor driver
- Oil free
- Permanent lubricated ball bearings
- Low noise level
- Compact design
- Long life maintenance free

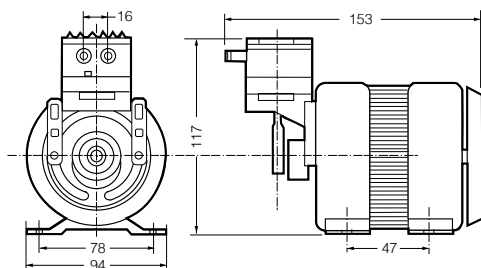
1 2 0 R N D

- D Double head S Single head
- N Pressure & vacuum - A Pression only - V Vacuum only
- R Piston
- Free flow (NI/min)

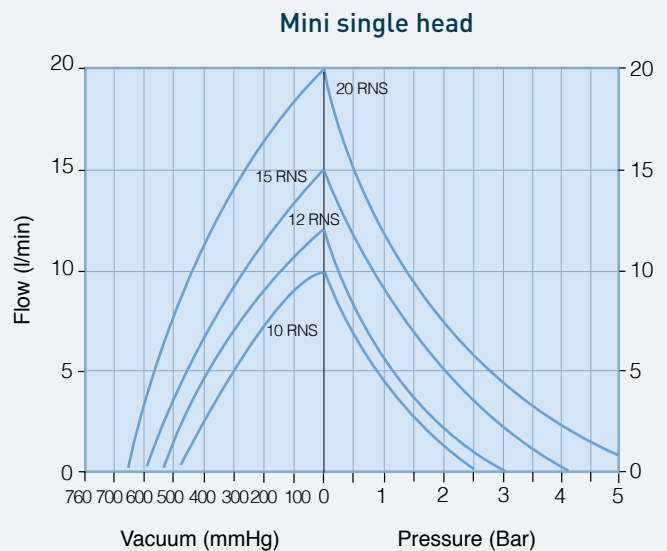
Example: 120 RND Piston vacuum pump & compressor 120 l/min free flow

Typical applications

- Dental and medical apparatuses
- Ozone and oxigen generators and enrichers
- Packing machines
- Plasma laser cutting machines
- Semiconductors industry
- Pneumatic movements
- Waste water plants



Dimensions mm.



DC BRUSH (B) and BRUSHLESS (BL) MOTOR - Mini compressors and vacuum pumps

Pump		Free flow (l/min)	Max pressure (Bar)	Max vacuum (mmHg)	Current drawn (A)	Motor driver	Model driver	Voltage (VDC)	Motor type	Dimensions (mm)	Weight (Kg)
10	RNS	10	2	490	1,5	Built in	...	12	Brush motor	140 x106 x75	1,25
12		12	2,5	540	2,4						
15		15	4,5	600	3,1						
20		19	6,5	650	3,1						
25		24	5,0	600	4,5						
30		29	6,5	650	6,1						
10		10	2	490	0,8						
12		12	2,5	540	1,2						
15		15	4,5	600	1,5						
20		19	6,5	650	2						
25		24	5,0	600	2,4						
30		29	6,5	650	2,9						
10		10	2	490	1,7						
12		12	2,5	540	2,4						
15		15	1,0	600	3,1						
20	19	vacuum only	650	3,1							
25	RNS-ED	24	5,0	600	4,5	External	GED 2405D	12	Brushless motor	124 x106 x75	0,8
30		29	6,5	650	6,5						
10	RNS	10	2	490	1	Built in	...	24			
12		12	2,5	540	1,2						
15		15	4,5	600	1,6						
20		19	6,0	650	2						
25	RNS-ED	24	5,0	600	2,8	External	GED 2405D				
30		29	6,5	650	3,8						

DC BRUSHLESS (BL) MOTOR - Compressors and vacuum pumps

Pump		Free flow (l/min)	Max pressure (Bar)	Max vacuum (mmHg)	Current drawn (A)	Motor driver	Driver model	Voltage (VDC)	Dimensions (mm)	Weight (Kg)
40	RNS	40	1,0	650	6,5	Built in	...	12 VDC	160x118x178	3,8
50	RNS-DE	50	7,0	680	19,0	External	GED-2425D			
60		60	7,0	690	23,0					
70		70	4,0	700	25,0					
40	RNS	40	7,0	650	5,5	Built in	...	24 VDC		
50	RNS-DE	50	7,0	680	8,0	External	GED-2425D			
60		60	7,0	690	9,5					
70		70	4,0	700	11,0					
50		50	7,0	680	2,5		GED-430A	230 VAC		
60		60	7,0	690	3,0					
70	70	4,0	700	3,0						
80	RND-DE	80	7,0	650	30,0	External	GED 2425D	12 VAC		
100		100	7,0	680	30,0					
120		120	4,0	690	30,0					
140		140	2,0	700	30,0					
80		80	7,0	650	15,0					
100		100	7,0	680	19,0					
120		120	4,0	690	22,0					
140		140	2,0	700	22,0					
80		80	7,0	650	2,0					
100		100	7,0	680	2,5					
120	120	4,0	690	3,0						
140	140	2,0	700	3,0						

External drivers for BRUSHLESS DC MOTORS

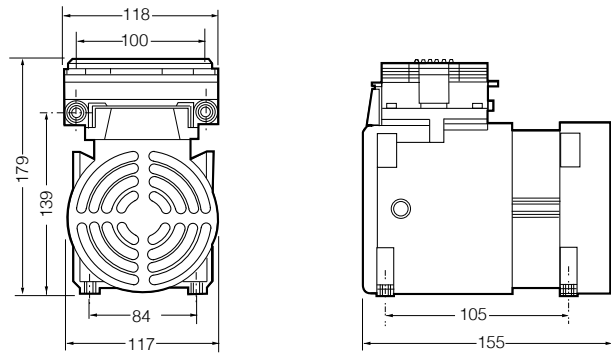
Driver model	Input voltage	Max input current (A)	Max power (W)	Operating ambient temperature (°C)	Features
GED-2405D	12-30 VDC	7	120	-20/+60	Current limit, soft start, closed loop RPM control, PWM signal, potentiometer to control speed, ON/OFF signal, Hall sensor power provided
GED-2425D		30	500		
GED-430A	90-240 VCA	5	450	0/+50	

AC MOTOR - Compressor and vacuum pumps

Pump		Free flow (l/min)	Max pressure (Bar)	Max vacuum (mmHg)	Pump configuration	Noise level (dBA)	Motor power (W)	Voltage (VAC)	Motor specs	Dimensions (mm)	Weight (Kg)
40	RNS	33	7,0	650	Single head	50/53	100	230-240V-50/60Hz	4 Pole capacitor start Thermal protection Cooling fan	155 x178 x118	4,2
50		42	4,0	680							
60		50	2,0	690							
70	RVS	59		700	Double head Serial connection double stage	55/58	200	230-240V-50/60Hz	Capacitor start Thermal protection Cooling fan	240 x178 x118	7,1
40	RVD	33	Vacuum only	720							
50		42		740							
60		50		745							
70		59		750							
80	RND	66	7,0	650	Double head Parallel connection single stage	55/58	200	230-240V-50/60Hz	Capacitor start Thermal protection Cooling fan	240 x178 x118	7,1
100		84	7,0	680							
120		101	4,0	690							
140		118	2,0	700							

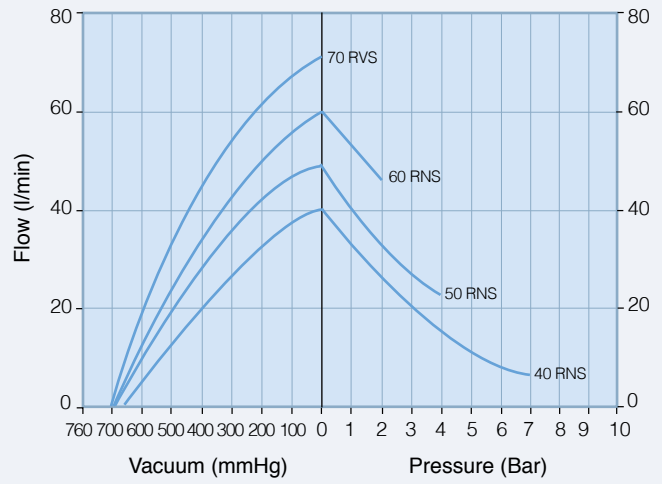
AC MOTOR - Mini compressor and vacuum pumps

Pump		Free flow (l/min)	Max pressure (Bar)	Max vacuum (mmHg)	Pump configuration	Noise level (dBA)	Motor power (W)	Voltage (VAC)	Motor specs	Dimensions (mm)	Weight (Kg)
10	RNS	8	2,0	490	Single head	45/52	100	230-240V-50/60Hz	4 Pole capacitor start Thermal protection	140 x94 x117	1,95
12		10	2,5	540							
15		12,5	4,4	600							
20		16	6,0	650					2 Pole capacitor start Thermal protection		
25		21	4,5	600							
30		26	6,5	650							

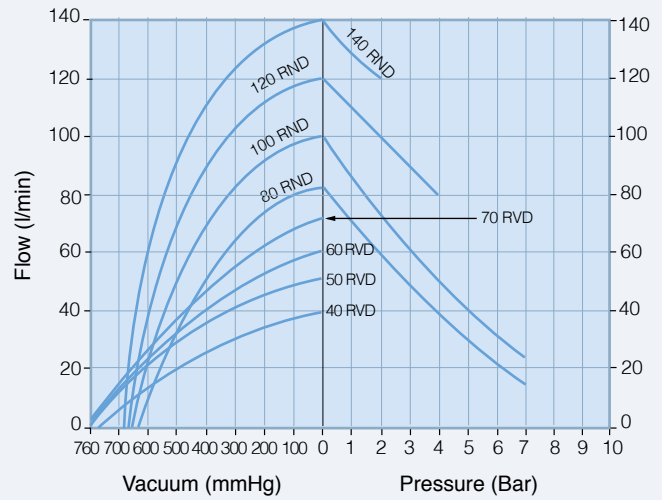


Dimensions mm.

Single head



Double head



Dimensions mm.